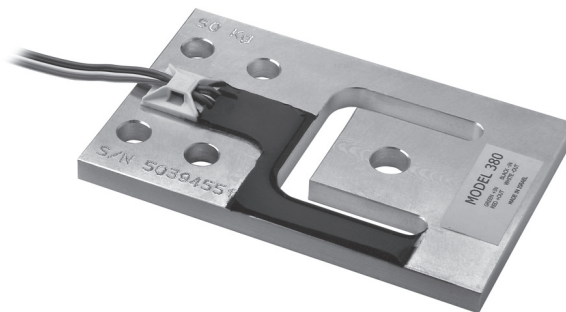


Co-Planar Beam Load Cell

FEATURES

- Capacity range: 7.5–250 kg
- Only 2.5–8 mm high
- Very low profile
- Aluminum construction
- OIML R60 and NTEP approved.
- IP65 protection
- 1000Ω input impedance
- Provides freedom in rectangular scale size design
- Matched output and current calibration circuitry



OPTIONAL

- ATEX and UKCA certification available for potentially explosive atmospheres.



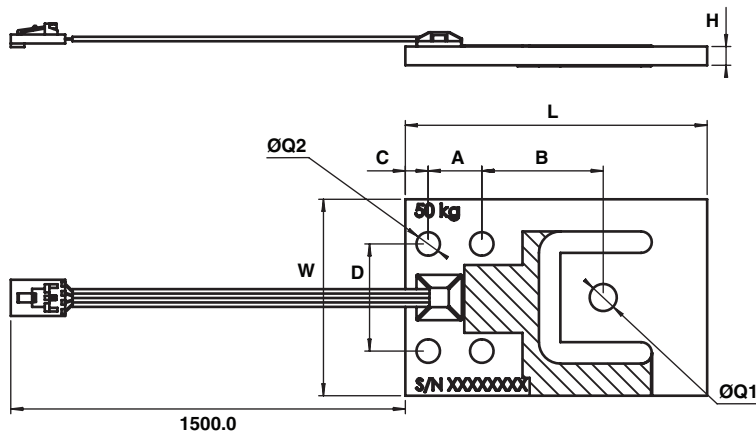
APPLICATIONS

- Personal scales
- Commonly used in low-profile infant and adult medical scales
- Large and medium low-profile platform scales
- Airport baggage scales
- Postal scales

DESCRIPTION

Model 380 is a very low-profile planar beam design, allowing direct mounting in low-profile platform scales. The range of capacities and low profile make Model 380 most suitable for use in a wide range of applications.

OUTLINE DIMENSIONS in millimeters



Type	L	A	B	C	D	W	H	Q1	Q2
PB-7.5 kg	70	14	28	4.9	27.8	39	2.5	5.1	5.1
PB-15 kg	70	14	28	4.9	27.8	39	4.1	6.2	5.1
PB-37.5 kg	76.2	15	29.3	6	30	44.5	4.8	6.2	6.6
PB-50 kg	84.5	15	34	6.4	30	55	5.3	7.6	6.6
PB-75 kg	84.5	15	34	6.4	30	55	6.4	7.6	6.6
PB-150 kg	107.5	22.8	45.9	7.8	44.5	70	8	5/16UNC	8.1
PB-250 kg	107.3	22.9	45.8	7.9	44.5	70	10.0	9.1	8.1

Co-Planar Beam Load Cell

SPECIFICATIONS				
PARAMETER	VALUE			UNIT
Rated capacity – R.C. (E _{max})	7.5, 37.5, 50, 75, 150, 250			kg
Accuracy class	E	G4	H5	
OIML Accuracy class	NA	C3	C4	
Maximum no. of intervals (n)	NA	3000	4000	
Y = E _{max} /V _{min} *	NA	7500*	7500*	
Rated output – R.O.	1.0			mV/V
Rated output tolerance	0.10	0.001		±mV/V
Zero balance	0.10			±mV/V
Creep, 30 min.	0.074	0.024	0.018	±% of load
Zero return, 30 min.	0.05	0.0167	0.0125	±% of load
Temperature effect on output	0.002	0.001	0.00075	±% of load/°C
Temperature effect on zero	0.007	0.00186	0.00186	±% of R.O./°C
Input impedance	1160±15			Ω
Output impedance	1000±10			Ω
Insulation resistance	5000			MΩ
Temperature range, compensated	-10 to +40			°C
Temperature range, safe	-30 to +70			°C
Maximum safe central overload	300			% of R.C.
Ultimate static overload	400			% of R.C.
Safe side load	200			% of R.C.
Cable type	4 conductors, 26AWG, flat, PVC			
Cable length	1.5			m
Color code	+Exc: Green, +Sig: Red, -Exc: blk, -Sig: wht			
Construction	Aluminum, RTV potting			
Environmental protection	IP65			
Outline dimensions drawing	378.000.003			

* Consult factory for higher Y values availability

All specifications subject to change without notice.

CERTIFICATION MARKINGS

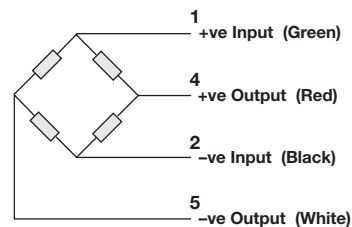
ATEX & UKEX Markings (For Zone 0,1,2 and Zone 20,21,22)

II 1GD

Ex ia IIC T4 Ga (-20°C ≤ Ta ≤ +60°C)

Ex ia IIIC T135°C Da (-20°C ≤ Ta ≤ +100°C)

Wiring Schematic Diagram



The load cell is provided with a 4 conductor ribbon cable and with optional AMP#103957-4 connector