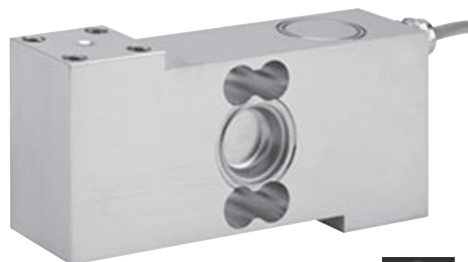


Hermetically Sealed Single-Point Load Cell

FEATURES

- Capacity range: 100–500 kg
- Stainless steel construction
- Single-point 600 x 600 mm platform
- OIML R60 and NTEP approved
- IP68 protection
- **Optional**
 - FM Approval, ATEX, IECEx and UKCA certifications available.
 - Platform size 600 x 800 mm available



APPLICATIONS

- Food industry platforms
- Marine and hybrid scales
- Process weighing hoppers
- Demanding environments

Hermetically sealed against moisture, the all-welded construction of the 1510, in combination with a polyurethane dual-shielded cable, enables continuous operation in demanding environments while maintaining a high operating specification.

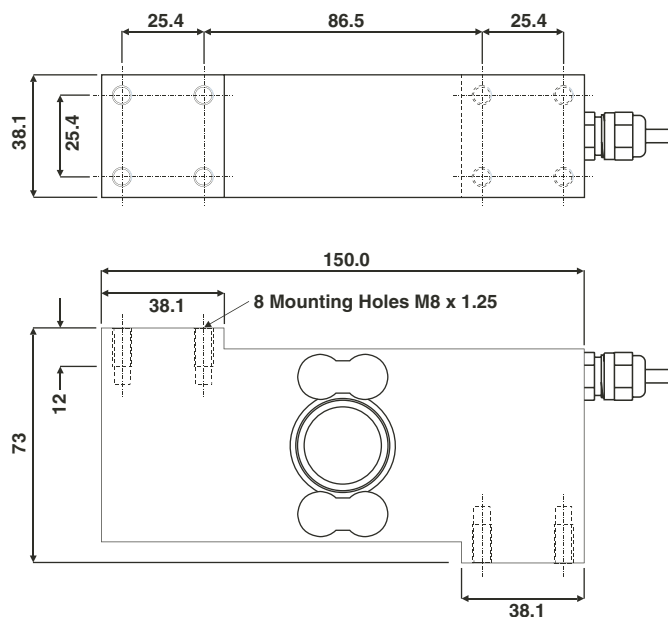
The two additional sense wires feedback the voltage reaching the load cell.

DESCRIPTION

Model 1510 is a high-accuracy single-point load cell ideally suited to industrial applications which undergo regular washdown, typically platforms, wall scales and other process weighing applications in the food industry.

Complete compensation of changes in lead resistance, due to temperature change and/or cable extension, is achieved by feeding this voltage into the appropriate electronics.

OUTLINE DIMENSIONS in millimeters



Hermetically Sealed Single-Point Load Cell

SPECIFICATIONS					
PARAMETER	VALUE				UNIT
Rated capacity—R.C. (E _{max})	100, 250, 500				kg
NTEP/OIML accuracy class	NTEP	Non-approved	C3*	C4*	
Maximum no. of intervals (n)	5000 single	1000	3000	4000	
Y = E _{max} /V _{min}	11425	1400	10000	12000	Maximum available 12500
Rated output—R.O.	2.0				mV/V
Rated output tolerance	0.2				±mV/V
Zero balance	0.2				±mV/V
Zero return, 30 min.	0.0170	0.0060	0.0170	0.0130	±% of applied load
Total Error	0.0200	0.0300	0.0200	0.0150	±% of rated output
Temperature effect on zero	0.0023	0.010	0.0014	0.0011	±% of rated output/°C
Temperature effect on output	0.001	0.0040	0.0010	0.0008	±% of applied load/°C
Eccentric loading error	0.0016	0.0035	0.0011	0.0008	±% of rated load/cm
Temperature range, compensated	-10 to +40				°C
Temperature range, safe	-20 to +70				°C
Maximum safe central overload	150				% of R.C.
Ultimate central overload	300				% of R.C.
Excitation, recommended	10				VDC or VAC RMS
Excitation, maximum	15				VDC or VAC RMS
Input impedance	380±10				Ω
Output impedance	350±2				Ω
Insulation resistance	>1000				MΩ
Cable length	3				m
Cable type	6-wire, braided, polyurethane, dual floating screen				Standard
Construction	Stainless steel				
Environmental protection	IP68				
Recommended torque	22.0				N*m

* 35% utilization

All specifications subject to change without notice.

CERTIFICATION MARKINGS

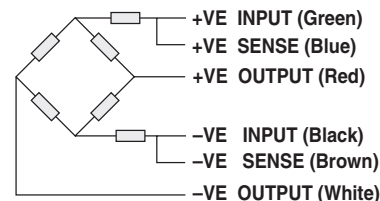
ATEX, IECEx & UKEX Markings (For Zone 0,1,2 and Zone 20,21,22)

II 1 GD
Ex ia IIC T4 Ga
Ex ia IIIC T135°C Da
Ta = -20°C to +40/70°C

ATEX/UKEX Markings (for Zone 2 and Zone 22 only)

II 3GD
Ex ec IIC T6 Gc
Ex tc IIIC T85°C Dc
Ta = -20 to +40°C
or
II 3GD
Ex ec IIC T4 Gc
Ex tc IIIC T135°C Dc
Ta = -20 to +70°C

WIRING SCHEMATIC DIAGRAM



FM Approval Markings (USA and Canada)

IS Class I, II, III, Division 1,
Groups A, B, C, D, E, F and G; T4
Ta = -25°C to +40°C