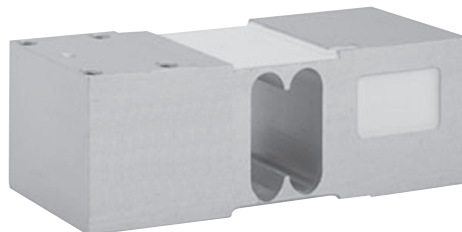


Aluminum High Capacity Single-Point Load Cell

FEATURES

- Capacities: 50–635 kg
- Aluminum construction
- Single-point 600 × 600 mm platform
- OIML R60 and NTEP approved
- IP66 protection
- Available with metric and UNC threads
- **Optional**
 - FM Approval, ATEX, IECEx and UKCA certifications available.



APPLICATIONS

- Large platform scales
- Hanging scales
- Check weighing



DESCRIPTION

Model 1260 is a high-performance, high-capacity single-point load cell designed for direct mounting of large platforms.

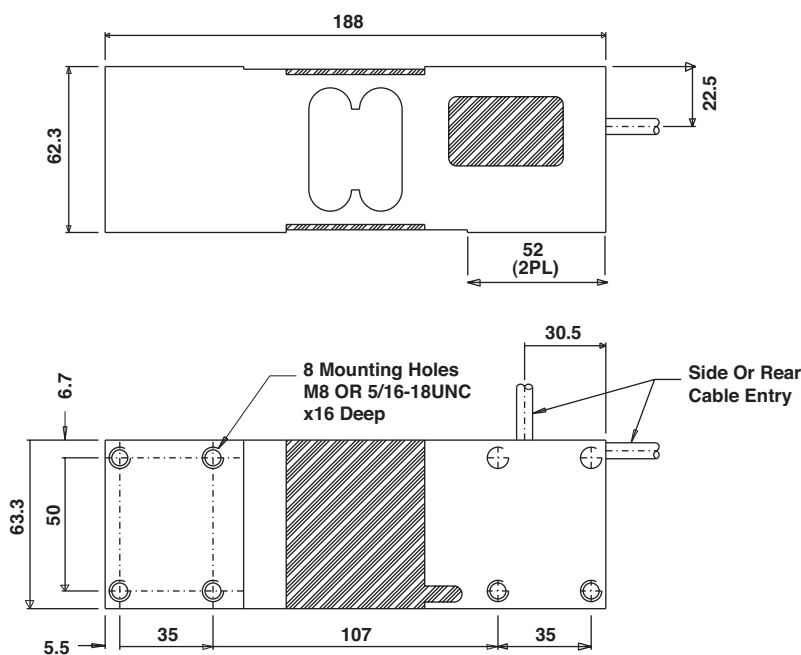
Its rugged construction offers high resistance to side forces, making it suitable for a wide range of weighing applications, including bench scales and check weighing.

A special humidity-resistant protective coating assures long-term stability over the entire compensated temperature range.

For hazardous environments this load cell has an ATEX and FM approval.

The two additional sense wires feedback the voltage reaching the load cell. Complete compensation of changes in lead resistance due to temperature change and/or cable extension, is achieved by feeding this voltage into appropriate electronics.

OUTLINE DIMENSIONS in millimeters



Aluminum High Capacity Single-Point Load Cell

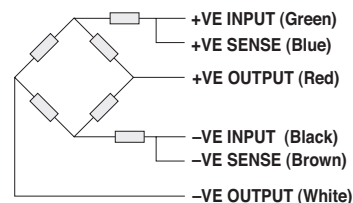
SPECIFICATIONS				
PARAMETER	VALUE			UNIT
Rated capacity – R.C. (E_{max})	50, 75, 100, 150, 200, 250, 300, 500, 635, 1000			kg
NTEP/OIML accuracy class	NTEP ⁽¹⁾	Non-Approved	C3 ⁽²⁾	
Maximum no. of intervals (n)	5000 single	1000	3000	
$Y = E_{max}/V_{min}$	1000	3333	15000	Maximum available
Rated output – R.O.	2.0			mV/V
Rated output tolerance	0.2			±mV/V
Zero balance	0.2			±mV/V
Zero return, 30 min.	0.0330	0.0300	0.0170	±% of applied load
Total error	0.0350	0.0500	0.0200	±% of rated output
Temperature effect on zero	0.0028	0.0100	0.0023	±% of rated output/°C
Temperature effect on output	0.0011	0.0030	0.0010	±% of applied load/°C
Eccentric loading error	0.0020	0.0050	0.0033	±% of rated load/cm
Temperature range, compensated	-10 to +40			°C
Temperature range, safe	-20 to +70			°C
Maximum safe central overload	150			% of R.C.
Ultimate central overload	300			% of R.C.
Excitation, recommended	10			VDC or VAC RMS
Excitation, maximum	15			VDC or VAC RMS
Input impedance	415±15			Ω
Output impedance	350±3			Ω
Insulation resistance	>2000			MΩ
Cable length	3			m
Cable type	6-wire, braided, polyurethane, dual floating screen			Standard
Construction	Plated (anodized) aluminum			
Environmental protection	IP66			
Platform size (max.)	600 × 600			mm
Recommended torque	16.0			N*m

⁽¹⁾ Capacity 635 kg is not NTEP approved.

⁽²⁾ 50% utilization

All specifications are subject to change without notice.

Wiring Schematic Diagram
(Balanced temperature compensation)



CERTIFICATION MARKINGS

ATEX, IECEx & UKEX Markings (For Zone 0,1,2 and Zone 20,21,22)

II 1GD
Ex ia IIC T4 Ga
Ex ia IIIC T₂₀₀ 135°C Da
Ta = -20°C ≤ Ta ≤ +70°C

FM Approval Markings (USA and Canada)

IS Class I, II, III, Division 1,
Groups A, B, C, D, E, F and G; T4
Ta = -25°C to +40°C