

## ASC/DSC Self-Aligning Accessories

### FEATURES

- Capacities: 30–50T
- Hardened components at all bearing surfaces
- Self-aligning construction
- Stainless steel

### APPLICATIONS

- Truck and rail scale applications
- Silo and weighbridge applications

### DESCRIPTION

The ASC and DSC self-aligning set provides weighing assemblies suitable for truck scale, rail scale and process weighing applications.

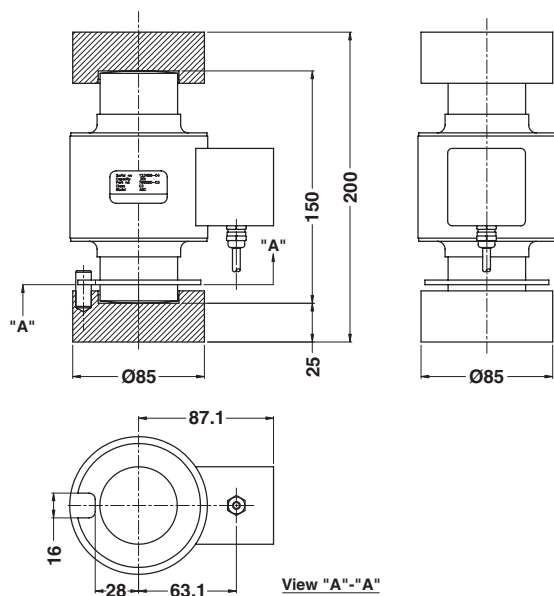
The self-aligning set is specially designed to be used in weighbridges without stay or check rods. Eccentric washers are used to ensure that the load cell is placed



in a vertical position, and perpendicular to its mounting surfaces.

Long-term reliability is assured through the use of hardened corrosion resistive steel on all mount parts.

### OUTLINE DIMENSIONS in millimeters



| MOUNT                      | ASSEMBLY GUIDELINES | P/N       |
|----------------------------|---------------------|-----------|
| Self-aligning set          | 02/03-110/01        | 799863-00 |
| Set of 3 eccentric washers |                     | 499125-00 |