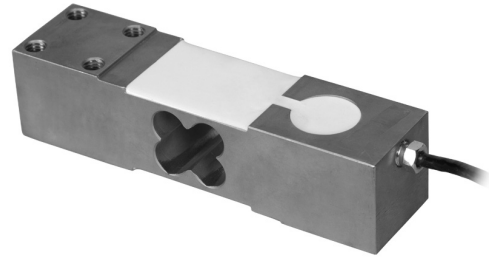


Single-Point Alloy Steel Load Cell

FEATURES

- Capacity range: 50–1500 kg
- Alloy steel construction
- Single-point for the following platform sizes:
 - 50–750 kg: 600 × 600 mm platform
 - 1000–1250 kg: 750 × 750 mm platform
 - 1500 kg: 900 × 900 mm platform
- **Optional**
 - Stainless steel construction



APPLICATIONS

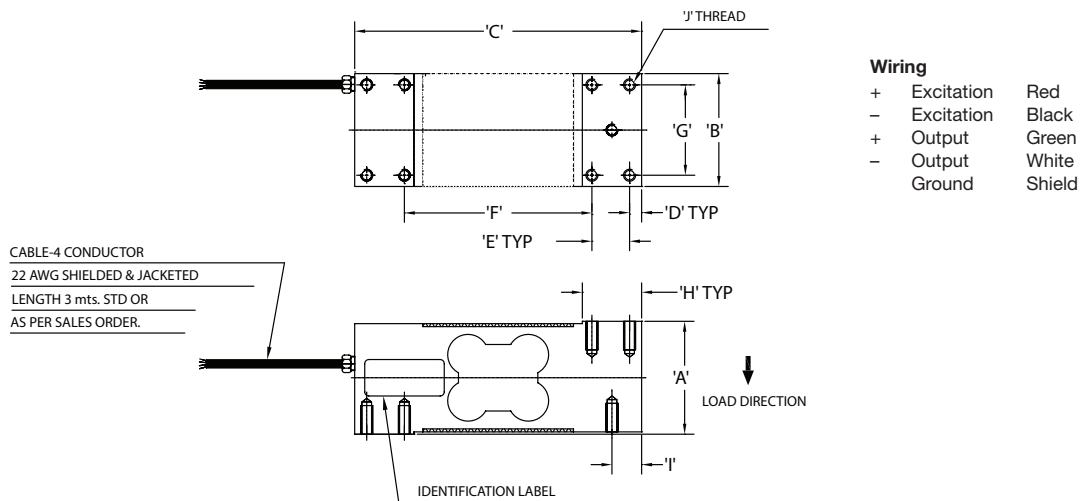
- Large platform scales
- Bench and counting scales
- Check weighing scales

DESCRIPTION

The Model 92001 is an alloy steel single-point load cell designed for direct mounting in large platform scale applications. It has a very similar design to the

Model 92006 with some key differences. The Model 92001 can register smaller loads but it requires different platform sizes depending on the desired capacity range. The cost effective load cell is ideal for use in counting, bench and floor scales. This model provides scale manufacturers with a high accuracy, low-cost sensor for their most demanding technical requirements.

OUTLINE DIMENSIONS in millimeters



CAPACITY	A	B	C	D	E	F	G	H	I	J THREAD
50,100,150,200,250,300, 350,500,600,750 kg	38.0	38.0	150.0	6.3	25.4	86.6	25.4	38.0	18.0	M8 x 1.25 DEEP 15.0, 9 PLCS
1000, 1250 kg	74.9	74.9	190.5	10.4	18.5	132.6	56.0	39.3	19.7	M8 x 1.25-6H x 19.0 DEEP 9 PLCS
1500 kg	74.9	74.9	190.5	10.4	18.5	132.6	56.0	39.3	19.7	M10 x 1.5-6H x 26.0 DEEP 9 PLCS

Single-Point Alloy Steel Load Cell

SPECIFICATIONS		
PARAMETER	VALUE	UNIT
Rated output-R.O.	2.0	mV/V
Rated output tolerance	10	± % FSO
Zero balance	1	± % FSO
Combined error	<0.045	± % FSO
Non-linearity	<0.025	± % FSO
Hysteresis	<0.020	± % FSO
Non-repeatability	<0.010	± % FSO
Creep error (30 minutes)	<0.025	± % FSO
Temperature effect on zero	<0.002	± %/°C
Temperature effect on output	0.001	± %/°C
Operating temperature range	-20 to +70	°C
Maximum safe central overload	150	% FSO
Ultimate central overload	300	% FSO
Excitation, recommended	10	VDC
Excitation, maximum	15	VDC
Input impedance	380-400	Ω
Output impedance	349-355	Ω
Insulation resistance at 50 VDC	>1000	MΩ
Material	Alloy steel with electroless nickel-plated	
Environmental protection	IP66	
Platform size	50-750 kg: 600 × 600 1000-1250 kg: 750 × 750 1500 kg: 900 × 900	

All specifications subject to change without notice.