

Stainless Steel, Welding Sealed Double-Ended Shear Beam Load Cell

FEATURES

- Rated capacities of 25,000 to 75,000 lbs. (Higher capacities are also available)
- Welded seal, stainless-steel construction
- Center supported, external pivot loading
- Integral conduit adaptor
- Trade certified for NTEP Class III: 10000 divisions
- Sensorgage™ sealed to IP68 standards
- Factory Mutual System Approved for Classes I, II, III; Divisions 1 and 2; Groups A through G.
- Non-incendive ratings (without barriers)



65040 Steel



APPLICATIONS

- Hostile environments:
 - Food and beverage processing
 - Chemical and plastics processing
 - Pharmaceutical and biomedical processing
- Truck scales
- Railroad track scales

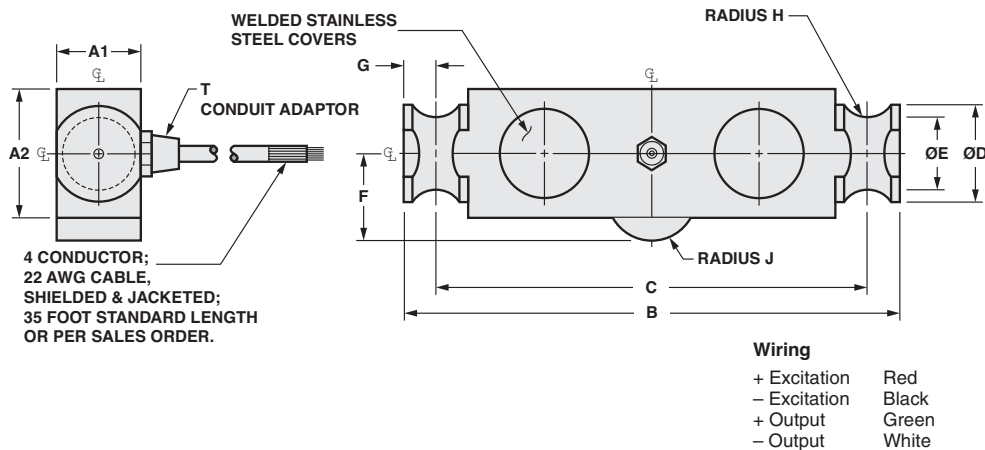
The product is designed for use in certified truck and rail scales and is available in capacities ranging from 25k through 75k lbs. (For higher capacities consult with the factory.)

This load cell is rated intrinsically safe by the Factory Mutual System (FM); making it suitable for use in potentially-explosive environments. This load cell is certified for Legal for Trade applications by American NTEP standards.

DESCRIPTION

Model 65040W is a mid to high-capacity welded stainless-steel, double-ended shear beam load cell.

OUTLINE DIMENSIONS in inches



CAPACITY	A1	A2	B	C	D	E	F	G	H	J	T-THREAD
25k-40k	1.94	2.44	8.25	7.25	2.0	1.63	1.75	0.50	0.50	0.50	1/4-18NPT
50k-75k	1.94	2.94	11.50	10.00	2.2	1.70	2.00	0.75	0.75	1.00	1/2-14NPT

Capacities are in pounds.

Stainless Steel, Welding Sealed Double-Ended Shear Beam Load Cell

SPECIFICATIONS			
PARAMETER	VALUE		UNIT
Rated capacity—R.C. (E _{max})	25k, 40k, 50k, 75k*		lbs
NTEP/OIML accuracy class	NTEP IIIIL	Standard	
Maximum no. of intervals (n)	10000 multiple		
Y = E _{max} /V _{min}	See NTEP cert. 86-045A1		Maximum available
Rated output—R.O.	3.0		mV/V
Rated output tolerance	0.25		±% mV/V
Zero balance	1.0		±% FSO
Combined error	0.02	0.03	±% FSO
Non-repeatability	0.01	0.015	±% FSO
Creep error (30 minutes)	0.025	0.03	±% FSO
Temperature effect on zero	0.0009	0.0015	±% FSO/°F
Temperature effect on output	0.0008	0.0008	±% of load/°F
Compensated temperature range	14 to 104 (-10 to 40)		°F (°C)
Operating temperature range	0 to 150 (-18 to +65)		°F (°C)
Storage temperature range	-60 to 185 (-50 to +85)		°F (°C)
Sideload rejection ratio	500:1		
Safe sideload	100		% of R.C.
Maximum safe central overload	150		% of R.C.
Ultimate central overload	300		% of R.C.
Excitation, recommended	10–15		VDC or VAC RMS
Excitation, maximum	25		VDC or VAC RMS
Input impedance	686–714		Ω
Output impedance	699–707		Ω
Insulation resistance at 50 VDC	>1000		MΩ
Material	17-4 Ph stainless steel**		
Environmental protection	IP68		

* Consult factory for higher capacities

** Alloy steel available as 65040

FSO—Full Scale Output

All specifications subject to change without notice.

CERTIFICATION MARKINGS

FM Approval markings (USA and Canada)

IS Class I, II, III, Division 1, Groups A, B, C, D, E, F and G;

NI Class I, Division 2, Groups A, B, C, and D,

DIP, Class II, III, Division 2, Groups F and G;

T4;

Ta = -25°C to +66°C