

## Stainless Steel, Welded Seal S-Beam Load Cell

### FEATURES

- Rated capacities of 500 to 20,000 pounds
- Stainless steel, welded seal construction
- Integrated loading brackets
- Compatible with TCM tension mounting hardware
- Designed for single or multiple load cell applications
- Trade certified for NTEP Class III: 10000d and III: 5000d
- *Sensorgage™* sealed to IP68 standards
- Factory Mutual System Approved for Classes I, II, III; Divisions 1 and 2; Groups A through G. Also, non-incendive ratings (No barriers!)
- **Optional**
  - Mounting and loading accessory hardware available



### APPLICATIONS

- Hostile environments: Food and beverage processing  
Chemical and plastics processing  
Pharmaceutical and biomedical
- Bin, hopper and belt conveyor scales
- Level and inventory monitoring
- Tension and compression measurements

### DESCRIPTION

The Model 60063 is a stainless steel S-Type load cell. Its welded sealing, combined with high accuracy, make this load cell ideally suited for a wide range of applications of process weighing and force measurement.

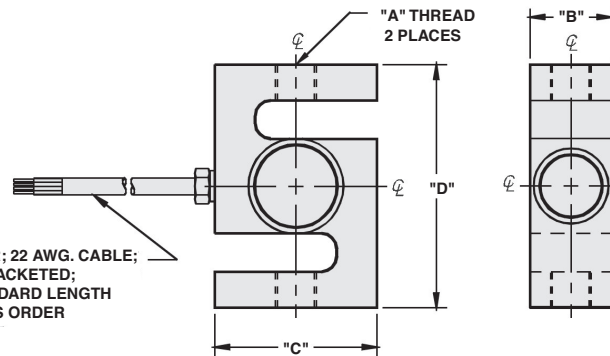
Approvals included NTEP III 5000d single and NTEP III 10000d multiple. Also available are versions approved for hazardous areas - FM I, II, III Division 1.

### OUTLINE DIMENSIONS IN INCHES

#### Wiring

+ Excitation	Red
- Excitation	Black
+ Output	Green
- Output	White

4 CONDUCTOR; 22 AWG. CABLE;  
SHIELDED & JACKETED;  
20 FOOT STANDARD LENGTH  
OR PER SALES ORDER



CAPACITY	A	B	C	D	DEFLECTION	WEIGHT
500-3k	1/2-20	1.00	2.00	3.00	0.010	3.0
5k-10k	3/4-16	1.00	3.50	4.75	0.010	5.00
15k	1-14	1.25	4.00	5.50	—	—
20k	1-1/4-12	2.00	5.00	7.00	—	—

Capacities are in pounds. Deflection is  $\pm 10\%$ . Certified drawings are available.

Stainless Steel, Welded Seal S-Beam Load Cell

SPECIFICATIONS				
PARAMETER	VALUE			UNIT
Rated capacity—R.C. ( $E_{max}$ )	500, 750, 1k, 1.5k, 2k, 2.5k, 3k, 5k, 10k*, 15k, 20k			lbs
NTEP/OIML accuracy class	NTEP III	NTEP IIIIL	Standard	
Maximum no. of intervals (n)	5000 multiple	10000 multiple		
$Y = E_{max}/V_{min}$	See NTEP cert. 98-019			Maximum available
Rated output—R.O.	2.0			mV/V
Rated output tolerance	+25%...-10%			±% mV/V
Zero balance	1.0			±% FSO
Combined error	0.02	0.02	0.03	±% FSO
Non-repeatability	0.01	0.01	0.015	±% FSO
Creep error (30 minutes)	0.025	0.03	0.03	±% FSO
Temperature effect on zero	0.0010	0.0010	0.0015	±% FSO/°F
Temperature effect on output	0.0008	0.0008	0.0008	±% of load/°F
Compensated temperature range	14 to 104 (-10 to 40)			°F (°C)
Operating temperature range	0 to 150 (-18 to 65)			°F (°C)
Storage temperature range	-60 to 185 (-50 to 85)			°F (°C)
Maximum safe central overload	150			% of R.C.
Ultimate central overload	300			% of R.C.
Excitation, recommended	10			VDC or VAC RMS
Excitation, maximum	15			VDC or VAC RMS
Input impedance	349-450			Ω
Output impedance	349-355			Ω
Insulation resistance at 50VDC	>1000			MΩ
Material	Stainless steel			
Environmental protection	IP68			

Note: \* NTEP approval 500-5k lbs only.

FSO—Full Scale Output

All specifications subject to change without notice.

**CERTIFICATION MARKINGS**

FM Approval markings (USA and Canada)

IS Class I, II, III, Division 1,

Groups A, B, C, D, E, F and G; T4

Ta = -25°C to +40°C