

Low Profile Platform Cell

FEATURES

- Rated capacities of 10 to 200 pounds
- Stainless steel construction
- Moment-compensated design for minimal sensitivity to moments induced by off-center loading
- *Sensorgage™* sealed to IP67 standards
- Factory Mutual System Approved for Classes I, II, III; Divisions 1 and 2; Groups A through G.
- Non-incendive ratings (without barriers)

APPLICATIONS

- Single-point platform scales
- Bench, counting and deli scales
- Checkweighing scales
- Hopper scales and netweighing

DESCRIPTION

Model 60051 is a low profile high precision, stainless steel, single point platform load cell.

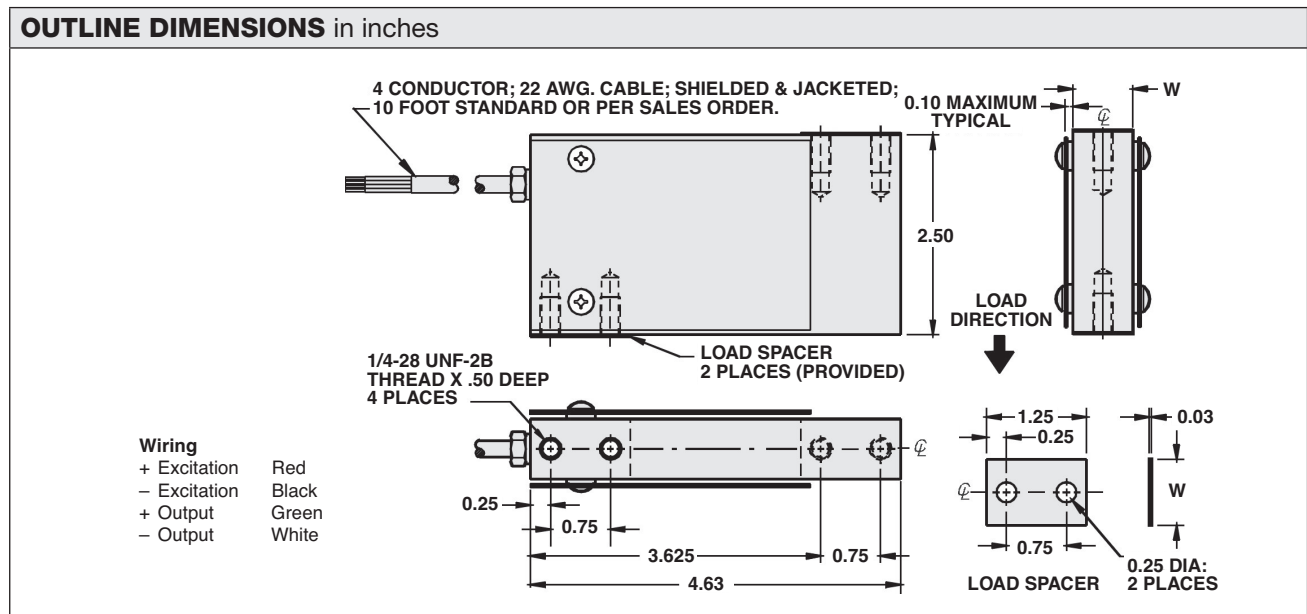
The product's low profile makes it ideal for many low to mid-range capacity weighing applications where space is at a premium. This load cell is most commonly used in platform scales, but can be adapted for use in many process weighing applications.



The stainless steel construction and IP67 rating make this load cell ideal for any environmental installation. This load cell is specifically designed for use in corrosive and wet environments that are not appropriate for common aluminum load cells.

This product is rated intrinsically safe by the Factory Mutual System (FM); making it suitable for use in potentially explosive environments.

OUTLINE DIMENSIONS in inches



Low Profile Platform Cell

SPECIFICATIONS			
PARAMETER	VALUE		UNIT
Rated capacity—R.C. (E _{max})	10, 15, 25, 50, 100, 200		lbs
NTEP/OIML accuracy class	Standard		
Maximum no. of intervals (n)	—		
Rated output—R.O.	2.0		mV/V
Rated output tolerance	+0.25...-10		±% mV/V
Zero balance	1.0		±% FSO
Combined error	0.03		±% FSO
Non-repeatability	0.01		±% FSO
Creep error (20 minutes)	0.03		±% FSO
Temperature effect on zero	0.0015		±% FSO/°F
Temperature effect on output	0.0008		±% of load/°F
Compensated temperature range	14 to 104 (-10 to 40)		°F (°C)
Operating temperature range	0 to 150 (-18 to 65)		°F (°C)
Storage temperature range	-60 to 185 (-50 to 85)		°F (°C)
Maximum safe central overload	150		% of R.C.
Ultimate central overload	300		% of R.C.
Excitation, recommended	10		VDC or VAC RMS
Excitation, maximum	15		VDC or VAC RMS
Input impedance	380–450		Ω
Output impedance	349–355		Ω
Insulation resistance at 50 VDC	>1000		MΩ
Material	Stainless steel		
Environmental protection	IP67		
Moment compensation	10–25 lbs	50–200 lbs	
Moment sensitivity	0.015	0.100	±% of load/inch
Maximum moment	5 x capacity	6 x capacity	lbs-inches
Platform size	8 x 10	12 x 12	inches

FSO— Full Scale Output

All specifications subject to change without notice.

CERTIFICATION MARKINGS

FM Approval markings (USA and Canada)
 IS Class I, II, III, Division 1, Groups A, B, C, D, E, F and G;
 NI Class I, Division 2, Groups A, B, C, and D,
 DIP, Class II, III, Division 2, Groups F and G;
 T4;
 Ta = -25°C to +66°C