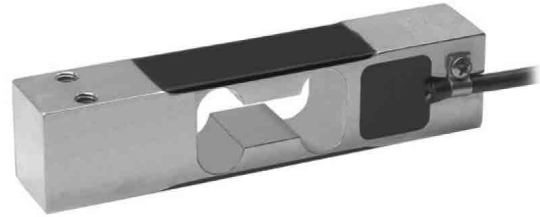


Stainless Steel Single-Point Load Cell

FEATURES

- Capacities 7–100 kg
- Stainless steel construction
- Single-point 400 × 400 mm platform
- OIML R60 and NTEP approved
- IP66 protection
- Available with metric and UNC threads
- **Optional**
 - ATEX, FM and IECEx approvals available



APPLICATIONS

- Demanding environment small platforms
- Demanding environment check weighing



DESCRIPTION

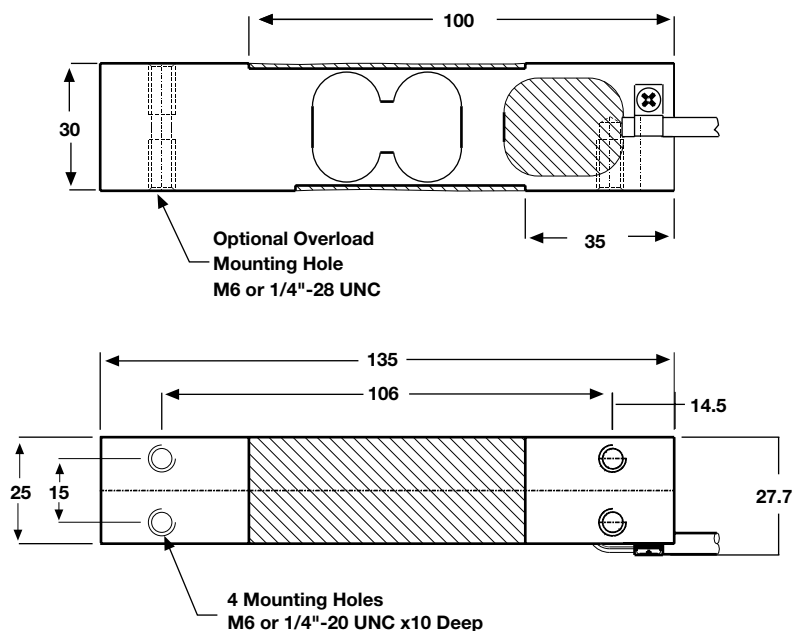
The Model 1130 is a low profile stainless steel single-point load cell ideally designed for direct mounting in bench and platform scales, packaging and process weighing equipment, and is built to perform in demanding environments.

The small physical size, combined with high accuracy and low cost, makes this load cell ideally suited for low profile bench and counting scales. A special humidity resistant protective coating assures long-term stability over the entire compensated temperature range.

Constructed in stainless steel, this high accuracy load cell is approved to stringent approval standards, e.g., OIML and NTEP.

The two additional sense wires feed back the voltage reaching the load cell. Complete compensation of changes in lead resistance due to temperature change and/or cable extension, is achieved by feeding this voltage into the appropriate electronics.

OUTLINE DIMENSIONS in millimeters



Stainless Steel Single-Point Load Cell

SPECIFICATIONS				
PARAMETER	VALUE			UNIT
Rated capacity—R.C. (E_{max})	7, 10, 15, 20, 30, 50, 75, 100			kg
NTEP/OIML accuracy class	NTEP ⁽¹⁾	Non-Approved	C3 ⁽²⁾	
Maximum no. of intervals (n)	4000 single	1000	3000 ⁽³⁾	
$Y = E_{max}/V_{min}$	15000	2000	15000	
Rated output—R.O.	2.0			mV/V
Rated output tolerance	0.2			±mV/V
Zero balance	0.2			±mV/V
Zero return, 30 min.	0.0250	0.0300	0.0170	±% of applied load
Total error (per OIML R60)	0.0015	0.0500	0.0200	±% of rated output
Temperature effect on zero	0.0030	0.0100	0.0023	±% of rated output/°C
Temperature effect on output	0.0008	0.0030	0.0010	±% of applied load/°C
Eccentric loading error	0.0035	0.0074	0.0049	±% of rated load/cm
Temp. range, compensated	-10 to +40			°C
Temp. range, safe	-20 to +70			°C
Maximum safe central overload	150			% of R.C.
Ultimate central overload	300			% of R.C.
Excitation, recommended	10			VDC or VAC RMS
Excitation, maximum	15			VDC or VAC RMS
Input impedance	385±15			Ω
Output impedance	350±3			Ω
Insulation resistance	>2000			MΩ
Cable length	1.5			m
Cable type	6-wire, PVC, single floating screen			Standard
Construction	Stainless steel			
Environmental protection	IP66			
Platform size (max.)	400 × 400			mm
Recommended torque	13.0			N*m

⁽¹⁾ Capacities 75 and 100kg are not NTEP approved

⁽²⁾ 50% utilization

⁽³⁾ Capacities 7–75 kg

All specifications are subject to change without notice.

CERTIFICATION MARKINGS

ATEX/IECEX/UKEX markings (for Zone 0,1,2 and Zone 20,21,22)

II 1 GD

Ex ia IIC T4 Ga

Ex ia IIIC T135°C Da

Ta = -20°C to +40/70°C

ATEX/UKEX markings (for Zone 2 and Zone 22 only)

II 3GD

Ex ec IIC T6 Gc

Ex tc IIIC T85°C Dc

Ta = -20 to +40°C

or

II 3GD

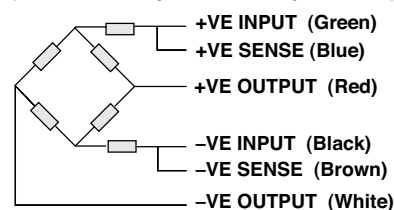
Ex ec IIC T4 Gc

Ex tc IIIC T135°C Dc

Ta = -20 to +70°C

WIRING SCHEMATIC DIAGRAM

(Balanced Temperature Compensation)



FM Approval markings (USA and Canada)

IS Class I, II, III, Division 1,

Groups A, B, C, D, E, F and G; T4

Ta = -25°C to +40°C